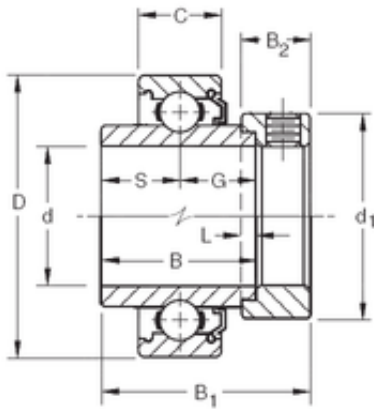




KORTON INDUSTRIAL LIMITED

38,1 mm x 90 mm x 41,28 mm TIMKEN N108KLL Insert Bearings Cylindrical OD



Bearing No. N108KLL

| | |
|-------------------------------|------------------|
| Size | 38.1x90x41.28 mm |
| Bore Diameter | 38,1 mm |
| Outer Diameter | 90 mm |
| Width | 41,28 mm |
| d | 38,1 mm |
| D | 90 mm |
| B | 41,28 mm |
| C | 23 mm |
| d1 | 63,5 mm |
| B1 | 57,15 mm |
| B2 | 20,64 mm |
| G | 21,43 mm |
| L | 4,8 mm |
| S | 19,84 mm |
| Weight | 1,153 Kg |
| Basic dynamic load rating (C) | 49 kN |

N108KLL Bearing 2D drawings and 3D CAD models