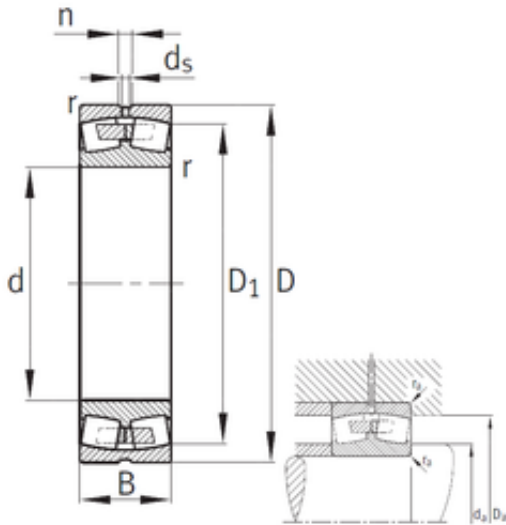




# KORTON INDUSTRIAL LIMITED



## 240 mm x 400 mm x 128 mm FAG 23148-B-MB Spherical Roller Bearings

Bearing No. 23148-B-MB

Size	240x400x128 mm
Bore Diameter	240 mm
Outer Diameter	400 mm
Width	128 mm
d	240 mm
D	400 mm
B	128 mm
C	128 mm
n	17,7 mm
r min.	4 mm
D1	346,2 mm
da min.	257 mm
Da max.	383 mm
ra max.	3 mm
d5	9,5 r/min
Weight	67,3 Kg
Basic dynamic load rating (C)	1860 kN
Basic static load rating (C0)	3250 kN
Fatigue load limit (Pu)	177
Reference speed	970 r/min
Limiting speed	1 300 r/min
Calculation factor (e)	0,33
Calculation factor (Y0)	2,01
Calculation factor (Y1)	2,06

23148-B-MB Bearing 2D drawings and 3D CAD models